

SINGER
47W62

Form 2929w
(150)
Printed in U. S. A.

LIST OF PARTS



From the library of: Diamond Needle Corp

SINGER**

MACHINE No. 47w62

THE SINGER MANUFACTURING COMPANY

**A Trade Mark of THE SINGER MANUFACTURING COMPANY

INSTRUCTIONS FOR OILING

To ensure easy running and prevent unnecessary wear of the parts which are in movable contact, the machine requires oiling, and when in continuous use, "TYPE B" or "TYPE D" OIL, sold by Singer Sewing Machine Company, should be applied at least twice each day to all oil holes marked "OIL", as instructed in Form 2220w.

"TYPE D" OIL should be used when an oil is desired which will produce a minimum of stain on fabrics, even after a long period of storage.

Copyright, U. S. A., 1939, 1940 and 1950
by The Singer Manufacturing Company
All Rights Reserved for all Countries

INDEX

	PAGE
ACCESSORIES - - - - -	12
BOBBIN WINDER - - - - -	12
FOOT LIFTER - - - - -	13
MACHINE No. 47w62 - - - - -	5
NUMERICAL LIST OF PARTS - - - - -	15
PRESSER FEET - - - - -	13
THROAT PLATES - - - - -	14

From the library of: Diamond Needle Corp

INSTRUCTIONS FOR ORDERING

In ordering from this list, use ONLY the PART number in the FIRST column.

The number stamped on a Sewing Machine Part is the number of the Single Part only, except when the part includes Set Screws, Clamping Screws, Studs and Rollers Spun on, Small Wires riveted, or Parts soldered together, etc., which it is necessary to furnish in combination.

Every combination of parts sent out has its specific number which, although not stamped on Parts (except in above case), must be used when ordering the combination.

Each number always indicates the SAME PART in whatever list it appears, or for whatever Machine.

The letters after some of the numbers indicate the style of finish only, as follows:

- A. Hardened, Polished, Nickel Plated and Buffed.
- B. Polished, Nickel Plated and Buffed.
- C. Hardened only.
- D. Polished only.
- E. Soft, not polished.
- F. Hardened and Polished.
- H. Blued.
- J. Nickel Plated only.
- R. Merlized.
- X. Black Oxide, for Iron and Steel.
- XC. Hardened and Black Oxide, for Iron or Steel.
- Y. Black Nickel Plated only.

These letters MUST BE USED when they appear in the list and AFTER the number, as in the list.

In this series

1 to 1500, 200001 to 201500 and 350001 to 351500 are Screw Numbers.
 1501 to 1800, 201501 to 201800 and 351501 to 351800 are Nut Numbers.
 1801 to 2000, 201801 to 202000 and 351801 to 352000 are Roller Numbers.
 2001 to 50000 and 202001 to 350000 are Numbers of Machine Parts.

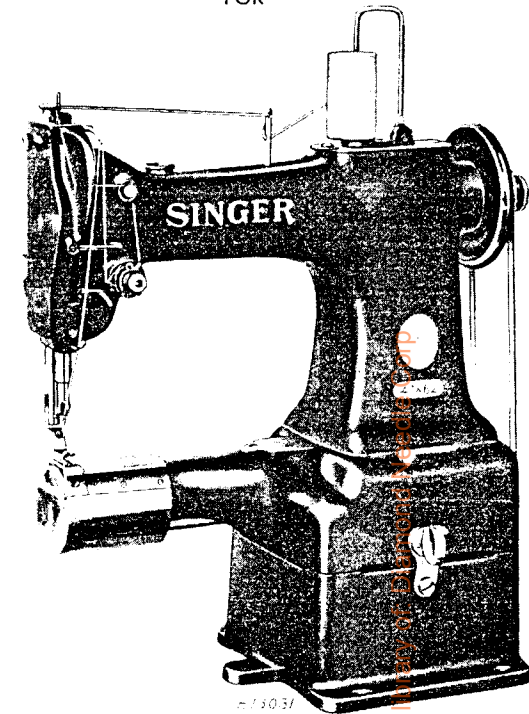
The figures in the second column refer only to the plate in which the illustration of the part is shown and are NOT TO BE USED in ordering.

Two or more numbers over a cut indicate that the difference between such parts is not visible in an illustration.

Parts marked with an asterisk (*) are furnished only when repairs are made at the factory.

LIST OF PARTS COMPLETE

FOR



MACHINE No. 47w62

HIGH SPEED. DROP FEED. CYLINDER BED.

MECHANICAL OPENER.

FOR SHIRTS, UNDERWEAR AND OTHER FABRIC WORK.

MAXIMUM STITCH 8 TO THE INCH.

No.	Plate	Name
*233757	----	Arm with 202135
203091	17030	" Cap
200278H	17030	" " Screw
202248	17030	" " " Washer
203089	17030	" " Spool Holder Base
203090	17030	" " " " 203089
		with 200079H and 204296
200585H	17030	Arm Cap Spool Holder Base Screw
204296	17030	" " " " Wire

No.	Plate	Name
200079H	17030	Arm Cap Spool Holder Wire Hinge Screw
203092	17030	Arm Cap and Spool Holder complete, Nos. 203090, 203091 and two 200585H
204235	17002	Arm Position Pin (2)
200010E	17002	" Screw (3)
202005	17002	" " Washer (3)
233691	17030	" Shaft with 224392 and 350431E
240802	17030	" " Bushing (back) with 202244
202244	17030	" " " " Oil Packing (wick)
200339C	17030	Arm Shaft Bushing (back) Set Screw
207060	17030	" " " (front) with 202244
202244	17030	" " " " Oil Packing (wick)
200502H	17030	Arm Shaft Bushing (front) Oil Packing Thumb Screw
200338C	17030	Arm Shaft Bushing (front) Set Screw
235003	17002	" " Connection Belt
224200	17002	" " " " Pulley with 200327C, 200602C and two 202253
200602C	17002	Arm Shaft Connection Belt Pulley Position Screw
200327C	17002	Arm Shaft Connection Belt Pulley Set Screw
202253	17002	Arm Shaft Connection Belt Pulley Spring Flange
233692	17003	Arm Shaft Connection Belt Timing Plate
200164B	17003	Arm Shaft Connection Belt Timing Plate Screw (2)
224392	17030	Arm Shaft Oil Packing (wick)
350431E	17030	" " " " Stop Screw
235096	17030	Balance Wheel (disc) (belt groove 2-1/2 in. diam.) with 200328C and 200335C
200328C	17030	Balance Wheel Position Screw
200335C	17030	" " Set Screw
*233633	-----	Bed (cylinder) with 201461C and 213380
233607	17035	Bed (cylinder) Cap
222404	17035	" " " Position Pin (2)
200100D	17035	" " " Screw (2)
213767	17035	" " End Cover
213690	17035	" Base (4 in. high)
203184	17035	" Clamp
200262H	17035	" " Hinge Screw
202922	17035	" " Packing Washer
200726B	17035	" " Thumb Screw
203185	17035	" " Washer
202818	17035	" Hinge
200030H	17035	" " Screw (8)
221174	17035	" Slide (back)
233043	17035	" " Clamp Plate (back)
233609	17035	" " " (front)
200340H	17035	" " " Screw (4)
203470	17024	Bobbin

No.	Plate	Name
*235099	-----	Bobbin Case
203648	17024	" " Latch
*202056	-----	" " " Pin
203473	17024	" " " Plunger
203474	17024	" " " Spring
233636	17024	" " Lever
*233640	-----	" " " Eccentric
221147	17024	" " " " Position Pin
203576	17024	" " " Fulcrum with 203579
200110D	17024	" " " " Screw
203578	17024	" " " Slide
203579	17024	" " " " Stud
241674	17024	" " " Oiling Felt
241675	17024	" " " " Retainer
350405C	17024	" " " " " Screw
203214	17024	" " Tension Spring
200984C	17024	" " " " " Regulating Screw
200594C	17024	Bobbin Case Tension Spring Screw
203216	17024	" " Washer (cloth)
235100	17024	Bobbin Case complete, Nos. 200594C, 200984C, 202056, 203214, 203216, 203473, 203474, 203646, 235099, 241674, 241675 and two 350405C
202274	17035	Face Plate
202135	17035	" " Position Pin
200462H	17035	" " Thumb Screw
233694	17033	Feed Bar with 213610
213298	17033	" " Connecting Link with two 350411C
350411C	17033	Feed Bar Connecting Link Pinch Screw
200935F	17033	" " " " Screw Stud
201531E	17033	" " " " " Nut
213610	17033	" " " " Stud
233776	17033	" Dog, for 233777
350149E	17033	" " Screw, for use with platform throat plates
221163	17033	Feed Dog Stop Washer, for use with platform throat plates
235082	17002	Feed Driving Eccentric Regulating Bracket
233612	17002	Feed Driving Eccentric Regulating Bracket 235082 with 224200, two each 201408C and 201525E
201408C	17002	Feed Driving Eccentric Regulating Bracket Hinge Screw
201525E	17002	Feed Driving Eccentric Regulating Bracket Hinge Screw Nut
202301	17002	Feed Driving Eccentric Regulating Bracket Plunger
202595	17002	Feed Driving Eccentric Regulating Bracket Plunger Spring
200607C	17002	Feed Driving Eccentric Regulating Bracket Plunger Spring Stop Screw
201408C	17002	Feed Driving Eccentric Regulating Bracket Stop Screw
201525E	17002	Feed Driving Eccentric Regulating Bracket Stop Screw Nut

From the library of the National Archives and Records Administration

No.	Plate	Name
200429F	17002	Feed Driving Eccentric Regulating Screw
200383C	17002	Feed Driving Eccentric Regulating Screw Check Screw
235011	17033	Feed Driving Rock Shaft
233614	17033	" " " " Bearing
201525E	17033	" " " " Nut
235066	17033	" " " " Bushing
200346C	17033	" " " " Set Screw
203244	17033	Feed Driving Rock Shaft Collar with two 200393C
200393C	17033	Feed Driving Rock Shaft Collar Set Screw
235842	17002	Feed Driving Rock Shaft Connection with 200054E and 202277
200919C	17002	Feed Driving Rock Shaft Connection Hinge Screw
201522E	17002	Feed Driving Rock Shaft Connection Hinge Screw Nut
202277	17002	Feed Driving Rock Shaft Connection Oil Packing (wick)
200054E	17002	Feed Driving Rock Shaft Connection Pinch Screw
210559	17030	Feed Driving Rock Shaft Connection Stop Collar with two 200378C
200378C	17030	Feed Driving Rock Shaft Connection Stop Collar Set Screw
221164	17033	Feed Driving Rock Shaft Crank with 200038C
200038C	17033	Feed Driving Rock Shaft Crank Pinch Screw
233695	17033	Feed Lifting Cam with 200392C and 200447C
200447C	17033	Feed Lifting Cam Position Screw
233696	17033	" " " Retainer
200583H	17033	" " " " Screw
200392C	17033	" " " Set Screw
233615	17030	" Regulating Spindle with 202311, 202443 and 202619
*202311	-----	Feed Regulating Spindle Head
202443	17030	" " " " Pin
202619	17030	" " " " Position Pin
203061	17035	Foot Lifter Lifting Lever
200262H	17035	" " " " Hinge Screw
233390	17035	" " " " " " Washer
233361	17035	Foot Lifter Lifting Lever Position Spring
200273D	17035	Foot Lifter Lifting Lever Position Spring Screw
*203522	-----	Hook (sewing)
203523	17024	" 203522 with 203525 and two 201253F
238250	17024	Hook and Bobbin Case complete Nos. 203523 and 235100

No.	Plate	Name
233697	17024	Hook Bevel Gear Socket, 18 teeth
200556H	17024	" " " " Screw
233698	17003	" " Pinion with two 200386C
200386C	17003	" " " Set Screw
235015	17003	" Driving Counter Shaft
235016	17003	" " " " Bushing (back)
200346C	17003	Hook Driving Counter Shaft Bushing (back) Set Screw
235017	17003	Hook Driving Counter Shaft Bushing (front)
200346C	17003	Hook Driving Counter Shaft Bushing (front) Set Screw
235018	17003	Hook Driving Counter Shaft Gear with 200382C and 200398C
200398C	17003	Hook Driving Counter Shaft Gear Position Screw
200382C	17003	Hook Driving Counter Shaft Gear Set Screw
235019	17033	Hook Driving Counter Shaft Oil Tube (brass)
233699	17003	Hook Driving Shaft
235021	17003	" " " Bushing (back)
200346C	17003	" " " " Set Screw
213380	17003	Hook Driving Shaft Bushing (front)
201461C	17003	" " " " " " Position Screw
203244	17003	Hook Driving Shaft Collar (front) with two 200393C
200393C	17003	Hook Driving Shaft Collar (front) Set Screw
235064	17003	Hook Driving Shaft Connection Belt Pulley with 202253 and two 201254C
201254C	17003	Hook Driving Shaft Connection Belt Pulley Set Screw
202253	17003	Hook Driving Shaft Connection Belt Pulley Spring Flange
235018	17003	Hook Driving Shaft Gear with 200382C and 200398C
200398C	17003	Hook Driving Shaft Gear Position Screw
200382C	17003	" " " " Set Screw
203525	17024	" Gib
201253F	17024	" " Screw
233707	17024	" Saddle with 206758 and two 233708
206758	17024	" " Oil Packing (wick)
233708	17024	" " Oiling Felt
200541E	17024	" " Screw (2)
225837	17024	" " " Washer (2)
233758	17024	Hook Saddle complete, Nos. 200110D, 200556H, 203576, 203578, 233636, 233697, 233707, 238237 and 238250
238237	17024	Hook Washer with 233640 and three 221147
233625	17034	Needle Bar with 200125F, 200175D and 204250
233829	17034	Needle Bar Bushing

No.	Plate	Name
200352C	17034	Needle Bar Bushing Set Screw
238251	17034	" " Connecting Link
264718	17034	" " " " Oil Guard
200161D	17034	" " " " " "
		Screw
202333	17034	Needle Bar Connecting Link Stud with 202254
202254	17034	Needle Bar Connecting Link Stud Oil Packing (wick)
200383C	17034	Needle Bar Connecting Link Stud Set Screw
200374C	17034	Needle Bar Connecting Link Stud Set Screw
264714	17034	Needle Bar Connecting Stud with 200072C and 202277
202277	17034	Needle Bar Connecting Stud Oil Packing (wick)
200072C	17034	Needle Bar Connecting Stud Pinch Screw
202551	17034	Needle Bar Crank with 200355C, 200374C, 200383C, 200428C and 202333
203172	17034	Needle Bar Crank Friction Washer
200428C	17034	" " " Position Screw
200335C	17034	" " " Set Screw
204250	17034	" " Thread Guide
200175D	17034	" " " " Screw
200125F	17034	" Set Screw
244033	17031	Presser Bar (hollow)
202335	17031	" " 244033 with 200074F
208260	17031	" " Bushing
200363AL	17031	" " " Set Screw
208313	17031	" " Lifter
200653C	17031	" " " Hinge Screw
244004	17031	" " Lifting Releasing Lever Bracket
200260D	17031	Presser Bar Lifting Releasing Lever Bracket Guide Screw
206608	17031	Presser Bar Lifting Releasing Lever Bracket Spring
202337	17031	Presser Bar Position Guide
202338	17031	" " " " Lever with 200086F
200086F	17031	Presser Bar Position Guide Lever Pinch Screw
200352C	17031	Presser Bar Position Guide Set Screw
202343	17031	" " Spring
202346	17031	" " " Stop Rod
200492H	17031	" " Thumb Screw (pressure regulating)
200475H	17031	Presser Bar Thumb Screw Thumb Set Screw
202355	17031	Presser Bar Thumb Screw Thumb Set Screw Packing (brass)
229854	17031	Presser Foot
200074F	17031	" " Screw
240139	17034	Take-up Lever

No.	Plate	Name
202399	17034	Take-up Lever Driving Stud with 202277
202277	17034	Take-up Lever Driving Stud Oil Packing (wick)
202400	17034	Take-up Lever Hinge Stud with 202423
202423	17034	" " " " Oil Packing (wick)
200374C	17034	Take-up Lever Hinge Stud Set Screw
202401	17031	" " Oiling Felt
200132E	17031	" " " " Screw
244048	17032	Tension Disc (back)
244049	17032	" " (front)
202404	17031	" Release Plunger
244061	17032	" " Washer
202407	17032	" Spring
263106	17032	" " Washer
200625F	17032	" Stud with 204925
200061C	17032	" " Set Screw
204925	17032	" " Washer
201572H	17032	" Thumb Nut
244062	17032	Tension complete, Nos. 200625F, 201572H, 202407, 202410, 244048, 244049, 244061 and 263106
202410	17032	Thread Controller Spring
241443	17032	" " " " Stop
200132E	17032	" " " " Screw
202412	17030	" Guide (on top of Arm)
202415	17032	" "
202414	17032	" "
202415	17032	" "
202417	17032	" "
52171	17034	" " (on Needle Bar Bushing)
200582H	17032	" " Screw
200355H	17032	" " Set Screw
200397H	17032	" " " "
202091	17032	" Retainer Sleeve
202092	17032	" " Spring
204058	17032	" " Stud
200386H	17032	" " " Set Screw
204059	17032	Thread Retainer complete, Nos. 202091, 202092 and 204058
233777	17033	Throat Plate, 30 needle hole, for needle sizes 14 and 15, for 233776
200577AL	17033	Throat Plate Screw (2)

ACCESSORIES

No.	Plate	Name
203470	17024	Bobbin (5)
228476	17010	Screw Driver (Bobbin Case)
204033	17010	Wrench
128x3	-----	Needles, three each, sizes 12 and 14
227104	16762	Drip Pan with one round head wood screw 1-1/2 in., No. 14
41401	17010	Machine Rest Pin (wood)
51078	17010	" Bolt (4)
6055	17010	" Washer (4)
120342	17010	Oiler (copper plated) with 120343
120343	17010	" Spout, 3-1/2 in. long
225498	17010	Screw Driver (7-1/4 in. long)
225554	17010	Wrench (steel)

BOBBIN WINDER

(SWINGING AUTOMATIC, RIGHT HAND)

FOR 5/16 INCH ROUND BELT DRIVE

259428	16615	Brake (leather)
259429	16615	" Clamp
200113F	16615	" " Screw
225453	16615	Frame with 202277 and 259660
225454	16615	" Hinge Pin
202277	16615	" Oil Packing (wick)
259660	16615	" " Well Washer
225455	16615	" Spring
225456	16615	" " Plunger
225368	16615	Pulley with 200380C
200380C	16615	" Set Screw
225381	16615	Spindle
225444	16615	Stop Latch
200056E	16615	" " Screw
225458	16615	" " Thumb Lever
225459	16615	" " " " Hinge Stud
225459	16615	" " " " Joint Stud
202478	16615	" " Trip Lever
200299H	16615	" " " " Hinge Screw
225461	16615	Tension Bracket with 201499H
200082D	16615	" " Screw
228026	16615	" " Washer
2102	16615	" Disc
13710	16615	" Spring
201499H	16615	" Stud
201572H	16615	" " Thumb Nut
225462	16615	Bobbin Winder Tension Bracket complete, Nos. 13710, 201572H, 225461 and two 2102

No.	Plate	Name
259430	16615	Bobbin Winder and Tension Bracket Base
259431	16615	Universal Bobbin Winder complete, Nos. 200056E, 200082D, 200113F, 200299H, 202478, 225368, 225381, 225444, 225453 to 225456, 225458, 225462, 228026, 259428 to 259430, two each 225459 and wood screws 3/4 in., No. 12, R.H.B.

FOOT LIFTER

227952	16762	Foot Lifter Lever with 227954
227678	16762	" " " Chain, 48 in. long, with 202784
227954	16762	Foot Lifter Lever Chain Hook (lower)
202784	16762	" " " " (upper)
225016	16762	" " " Hinge Pin
227939	16762	" " " Stand with two wood screws 1 in., No. 12
227955	16762	Foot Lifter Lever complete, Nos. 225016, 227678, 227939 and 227952 (Other Foot Lifter parts are listed with parts of machine head)

PRESSER FEET

206785	17036	Presser Foot
206788	17036	" "
229854	17031	" "
229857	17037	" "
229858	17037	" "
229856	17037	" "
202418	17037	" "
206794	17037	" " for tailoring work
206830	17037	" " " "
206786	17037	" " (split)
202090	17036	" " Hinge Pin
203009	17036	" " Plate, for 229864
203010	17036	" " " " 229863
203011	17036	" " " " 229867
203012	17036	" " " " 229868
203024	17036	" " " " 229865
203033	17036	" " " " 203153
229055	17036	" " " " 202351
202924	17036	" " Shank

PRESSER FEET

No.	Plate	Name
202935	17036	Presser Foot Shank
229864	17036	Presser Foot (hinged) complete, Nos. 202090, 202924 and 203009
229863	17036	Presser Foot (hinged) complete, Nos. 202090, 202924 and 203010, for over-all and tailoring
229867	17036	Presser Foot (hinged) complete, Nos. 202090, 202924 and 203011, for overalls
229868	17036	Presser Foot (hinged) complete, Nos. 202090, 202924 and 203012
229865	17036	Presser Foot (hinged) complete, Nos. 202090, 202924 and 203024, for tailoring
203153	17036	Presser Foot (hinged) complete, Nos. 202090, 202935 and 203033
202351	17036	Presser Foot (hinged) complete, 46 needle hole, Nos. 202090, 202924 and 229055, for knit goods

THROAT PLATES

233777	17033	Throat Plate, 50 needle hole, for needle sizes 14 and 15, for 233776
233780	17033	Throat Plate, 46 needle hole, for needle sizes 16 and 18, for 233776

SINGER Needles should be used
 in **SINGER** Machines
 These Needles and their Containers
 are marked with the
 Company's Trade Mark "**SIMANCO**."** 1

Needles in Containers marked
 "**FOR SINGER MACHINES**"
 are **NOT SINGER** made needles. 2

NUMERICAL LIST OF PARTS

No.	Plate	Name
2102	16615	Bobbin Winder Tension Disc, for 225462
6055	17010	Machine Bolt Washer
13710	16615	Bobbin Winder Tension Spring, for 225462
41401	17010	Machine Rest Pin (wood)
51078	17010	" Bolt
52171	17034	Thread Guide (on Needle Bar Bushing)
120342	17010	Oiler (copper plated) with 120343
120343	17010	" Spout, 3-1/2 in. long, for 120342
200010E	17002	Arm Screw
200030H	17035	Bed Hinge Screw
200038C	17033	Feed Driving Rock Shaft Crank Pinch Screw, for 221164
200054E	17002	Feed Driving Rock Shaft Connection Pinch Screw, for 233842
200056E	16615	Bobbin Winder Stop Latch Screw, for 259431
200061C	17032	Tension Stud Set Screw
200072C	17034	Needle Bar Connecting Stud Pinch Screw, for 264714
200074F	17031	Presser Foot Screw, for 202335
200079H	17030	Arm Cap Spool Holder Wire Hinge Screw, for 203090
200082D	16615	Bobbin Winder Tension Bracket Screw, for 259431
200086F	17031	Presser Bar Position Guide Lever Pinch Screw, for 202338
200100D	17035	Bed (cylinder) Cap Screw
200110D	17024	Bobbin Case Lever Fulcrum Screw, for 233758
200113F	16615	Bobbin Winder Brake Clamp Screw, for 259431
200125F	17034	Needle Set Screw, for 233625
200132E	17031	Take-up Lever Oiling Felt Screw
200132E	17032	Thread Controller Spring Stop Screw
200161D	17034	Needle Bar Connecting Link Oil Guard Screw
200164B	17003	Arm Shaft Connection Belt Timing Plate Screw
200175D	17034	Needle Bar Thread Guide Screw, for 233625
200260D	17031	Presser Bar Lifting Releasing Lever Bracket Guide Screw
200262H	17035	Bed Clamp Hinge Screw
200262H	17035	Foot Lifter Lifting Lever Hinge Screw
200273D	17035	" " " " Position Spring Screw
200278H	17030	Arm Cap Screw

No.	Plate	Name
200299H	16615	Bobbin Winder Stop Latch Trip Lever Hinge Screw, for 259431
200327C	17002	Arm Shaft Connection Belt Pulley Set Screw, for 224200
200328C	17030	Balance Wheel Position Screw, for 235096.
200335C	17030	Balance Wheel Set Screw, for 235096
200335C	17034	Needle Bar Crank Set Screw, for 202551
200338C	17030	Arm Shaft Bushing (back) Set Screw
200338C	17030	" " " (front) Set Screw
200346C	17033	Feed Driving Rock Shaft Bushing Set Screw
200346C	17003	Hook Driving Counter Shaft Bushing (back) Set Screw
200346C	17003	Hook Driving Counter Shaft Bushing (front) Set Screw
200346C	17003	Hook Driving Shaft Bushing (back) Set Screw
200352C	17034	Needle Bar Bushing Set Screw
200352C	17031	Presser Bar Position Guide Set Screw
200355H	17032	Thread Guide Set Screw
200363AL	17031	Presser Bar Bushing Set Screw
200368H	17032	Thread Retainer Stud Set Screw
200374C	17034	Needle Bar Connecting Link Stud Set Screw, for 202551
200374C	17034	Take-up Lever Hinge Stud Set Screw
200378C	17030	Feed Driving Rock Shaft Connection Stop Collar Set Screw, for 210559
200380C	16615	Bobbin Winder Pulley Set Screw, for 225368
200382C	17003	Hook Driving Counter Shaft Gear Set Screw, for 235018
200382C	17003	Hook Driving Shaft Gear Set Screw, for 235018
200383C	17002	Feed Driving Eccentric Regulating Screw Check Screw
200383C	17034	Needle Bar Connecting Link Stud Set Screw, for 202551
200386C	17003	Hook Bevel Pinion Set Screw, for 233698
200392C	17033	Feed Lifting Cam Set Screw, for 233695
200393C	17033	" Driving Rock Shaft Collar Set Screw, for 203244
200393C	17003	Hook Driving Shaft Collar (front) Set Screw, for 203244
200397H	17032	Thread Guide Set Screw
200398C	17003	Hook Driving Counter Shaft Gear Position Screw, for 235018
200398C	17003	Hook Driving Shaft Gear Position Screw, for 235018
200428C	17034	Needle Bar Crank Position Screw, for 202551
200429F	17002	Feed Driving Eccentric Regulating Screw
200447C	17033	Feed Lifting Cam Position Screw, for 233695
200462H	17035	Face Plate Thumb Screw

No.	Plate	Name
200475H	17031	Presser Bar Thumb Screw Thumb Set Screw
200492H	17031	Presser Bar Thumb Screw (pressure regulating)
200502H	17030	Arm Shaft Bushing (front) Oil Packing Thumb Screw
200541E	17024	Hook Saddle Screw
200556H	17024	" Bevel Gear Socket Screw, for 233758
200577AL	17033	Throat Plate Screw
200580H	17035	Bed Slide Clamp Plate Screw
200582H	17032	Thread Guide Screw
200583H	17033	Feed Lifting Cam Retainer Screw
200585H	17030	Arm Cap Spool Holder Base Screw, for 203092
200594C	17024	Bobbin Case Tension Spring Screw, for 235100
200602C	17002	Arm Shaft Connection Belt Pulley Position Screw, for 224200
200607C	17002	Feed Driving Eccentric Regulating Bracket Plunger Spring Stop Screw
200625F	17032	Tension Stud with 204925, for 244062
200653C	17031	Presser Bar Lifter Hinge Screw
200728B	17035	Bed Clamp Thumb Screw
200919C	17002	Feed Driving Rock Shaft Connection Hinge Screw
200935F	17033	Feed Bar Connecting Link Screw Stud
200984C	17024	Bobbin Case Tension Spring Regulating Screw, for 235100
201253F	17024	Hook Gib Screw, for 203523
201254C	17003	" Driving Shaft Connection Belt Pulley Set Screw, for 235064
201408C	17002	Feed Driving Eccentric Regulating Bracket Hinge Screw, for 233612
201408C	17002	Feed Driving Eccentric Regulating Bracket Stop Screw, for 233612
201461C	17003	Hook Driving Shaft Bushing (front) Position Screw, for 233693
201499H	16615	Bobbin Winder Tension Stud, for 225461
201522E	17002	Feed Driving Rock Shaft Connection Hinge Screw Nut
201525E	17002	Feed Driving Eccentric Regulating Bracket Hinge Screw Nut, for 233612
201525E	17002	Feed Driving Eccentric Regulating Bracket Stop Screw Nut, for 233612
201525E	17033	Feed Driving Rock Shaft Bearing Nut
201531E	17033	" Bar Connecting Link Screw Stud Nut
201572H	16615	Bobbin Winder Tension Stud Thumb Nut, for 225462
201572H	17032	Tension Thumb Nut, for 244062
202005	17002	Arm Screw Washer
202056	-----	Bobbin Case Latch Pin, for 235100
202090	17035	Presser Foot Hinge Pin, for 202351, 203153, 229863 to 229865, 229867 and 229868

No.	Plate	Name
202091	17032	Thread Retainer Sleeve, for 204059
202092	17032	" " Spring, for 204059
202135	17035	Face Plate Position Pin, for 233757
202244	17030	Arm Shaft Bushing (back) Oil Packing (wick), for 240802
202244	17030	Arm Shaft Bushing (front) Oil Packing (wick), for 207080
202248	17030	Arm Cap Screw Washer
202253	17002	" Shaft Connection Belt Pulley Spring Flange, for 224200
202253	17003	Hook Driving Shaft Connection Belt Pulley Spring Flange, for 235064
202254	17034	Needle Bar Connecting Link Stud Oil Packing (wick), for 202333
202274	17035	Face Plate
202277	16615	Bobbin Winder Frame Oil Packing (wick), for 223453
202277	17002	Feed Driving Rock Shaft Connection Oil Packing (wick), for 235842
202277	17034	Needle Bar Connecting Stud Oil Packing (wick), for 264714
202277	17034	Take-up Lever Driving Stud Oil Packing (wick), for 202399
202301	17002	Feed Driving Eccentric Regulating Bracket Plunger
*202311	-----	Feed Regulating Spindle Head, for 233615
202333	17034	Needle Bar Connecting Link Stud with 202254, for 202551
202335	17031	Presser Bar 244033 with 200074F
202337	17031	" " Position Guide
202338	17031	" " " " Lever with 200086F
202343	17031	Presser Bar Spring
202346	17031	" " " Stop Rod
202351	17036	Presser Foot (hinged) complete, 46 needle hole, Nos. 202090, 202924 and 229055, for knit goods
202355	17031	Presser Bar Thumb Screw Thumb Set Screw Packing (brass)
202399	17034	Take-up Lever Driving Stud with 202277
202400	17034	" " Hinge Stud with 202423
202401	17031	" " Oiling Felt
202404	17031	Tension Release Plunger
202407	17032	" Spring, for 244052
202410	17032	Thread Controller Spring, for 244062
202412	17030	" Guide (on top of Arm)
202413	17032	" "
202414	17032	" "
202415	17032	" "
202417	17032	" "
202418	17037	Presser Foot
202423	17034	Take-up Lever Hinge Stud Oil Packing (wick), for 202400
202443	17030	Feed Regulating Spindle Head Pin, for 233615

No.	Plate	Name
202478	16615	Bobbin Winder Stop Latch Trip Lever, for 259431
202551	17034	Needle Bar Crank with 200335C, 200374C, 200383C, 200428C and 202333
202595	17002	Feed Driving Eccentric Regulating Bracket Plunger Spring
202618	17035	Bed Hinge
202619	17030	Feed Regulating Spindle Head Position Pin, for 233615
202622	17035	Bed Clamp Packing Washer
202784	16762	Foot Lifter Lever Chain Hook (upper), for 227678
202924	17036	Presser Foot Shank, for 202351, 229863 to 229865, 229867 and 229868
202935	17036	Presser Foot Shank, for 203153
203009	17036	" " Plate, for 229864
203010	17036	" " " " 229863
203011	17036	" " " " 229867
203012	17036	" " " " 229868
203024	17036	" " " " 229865
203033	17036	" " " " 203153
203061	17035	Foot Lifter Lifting Lever
203089	17030	Arm Cap Spool Holder Base, for 203090
203090	17030	" " " " 203089 with 200079H and 204236, for 203092
203091	17030	Arm Cap, for 203092
203092	17030	Arm Cap and Spool Holder complete, Nos. 203090, 203091 and two 200585H
203153	17036	Presser Foot (hinged) complete, Nos. 202090, 202935 and 203033
203172	17034	Needle Bar Crank Friction Washer
203184	17035	Bed Clamp
203185	17035	" " Washer
203214	17024	Bobbin Case Tension Spring, for 235100
203216	17024	" " Washer (cloth), for 235100
203244	17033	Feed Driving Rock Shaft Collar with two 200393C
203244	17003	Hook Driving Shaft Collar (front) with two 200393C
203470	17024	Bobbin
203473	17024	" Case Latch Plunger, for 235100
203474	17024	" " Spring, for 235100
*203522	-----	Hook (sewing), for 203523
203523	17024	" 203522 with 203525 and two 201253F, for 238250
203525	17024	Hook Gib, for 203523
203576	17024	Bobbin Case Lever Fulcrum with 203579, for 233758
203578	17024	Bobbin Case Lever Slide, for 233758
203579	17024	" " " " Stud, for 203576
203648	17024	" " Latch, for 235100
204033	17010	Wrench
204058	17032	Thread Retainer Stud, for 204059
204059	17032	Thread Retainer complete, Nos. 202091, 202092 and 204058

No.	Plate	Name
204235	17002	Arm Position Pin
204250	17034	Needle Bar Thread Guide, for 233625
204296	17030	Arm Cap Spool Holder Wire, for 203090
204925	17032	Tension Stud Washer, for 200625F
206608	17031	Presser Bar Lifting Releasing Lever Bracket Spring
206758	17024	Hook Saddle Oil Packing (wick), for 233707
206785	17036	Presser Foot
206786	17037	" " (split)
206788	17036	" " "
206794	17037	" " " for tailoring work
206830	17037	" " " " " "
207080	17030	Arm Shaft Bushing (front) with 202244
208260	17031	Presser Bar Bushing
208313	17031	" " Lifter
210559	17030	Feed Driving Rock Shaft Connection Stop Collar with two 200378C
213298	17033	Feed Bar Connecting Link with two 350411C
213380	17003	Hook Driving Shaft Bushing (front), for 233693
213610	17033	Feed Bar Connecting Link Stud, for 233694
213787	17035	Bed (cylinder) End Cover
213890	17035	" Base (4 in. high)
221147	17024	Bobbin Case Lever Eccentric Position Pin, for 238237
221163	17033	Feed Dog Stop Washer, for use with platform throat plates
221164	17033	Feed Driving Rock Shaft Crank with 200038C
221174	17035	Bed Slide (back)
222404	17035	" (cylinder) Cap Position Pin
224200	17002	Arm Shaft Connection Belt Pulley with 200327C, 200602C and two 202253, for 233612
224392	17030	Arm Shaft Oil Packing (wick), for 233691
225016	16762	Foot Lifter Lever Hinge Pin, for 227955
225368	16615	Bobbin Winder Pulley with 200380C, for 259431
225381	16615	Bobbin Winder Spindle, for 259431
225444	16615	" " Stop Latch, for 259431
225453	16615	Nos. 225453 to 225456, for 259431
225453	16615	Bobbin Winder Frame with 202277 and 259660
225454	16615	Bobbin Winder Frame Hinge Pin
225455	16615	" " " Spring
225456	16615	" " " " Plunger
225458	16615	" " " Stop Latch Thumb Lever, for 259431
225459	16615	Bobbin Winder Stop Latch Thumb Lever Hinge Stud, for 259431
225459	16615	Bobbin Winder Stop Latch Thumb Lever Joint Stud, for 259431

No.	Plate	Name
225461	16615	Bobbin Winder Tension Bracket with 201499H, for 225462
225462	16615	Bobbin Winder Tension Bracket complete, Nos. 13710, 201572H, 225461 and two 2102, for 259431
225498	17010	Screw Driver (7-1/4 in. long)
225554	17010	Wrench (steel)
225837	17024	Hook Saddle Screw Washer
227104	16762	Drip Pan with one round head wood screw 1-1/2 in., No. 14
227678	16762	Foot Lifter Lever Chain, 48 in. long, with 202784, for 227955
227939	16762	Foot Lifter Lever Stand with two wood screws 1 in., No. 12, for 227955
227952	16762	Foot Lifter Lever with 227954, for 227955
227954	16762	Foot Lifter Lever Chain Hook (lower), for 227952
227955	16762	Foot Lifter Lever complete, Nos. 225016, 227678, 227939 and 227952
228026	16615	Bobbin Winder Tension Bracket Screw Washer, for 259431
228476	17010	Screw Driver (Bobbin Case)
229055	17036	Presser Foot Plate, for 202351
229854	17031	" " "
229856	17037	" " "
229857	17037	" " "
229858	17037	" " "
229863	17036	Presser Foot (hinged) complete, Nos. 202090, 202924 and 203010, for overalls and tailoring
229864	17036	Presser Foot (hinged) complete, Nos. 202090, 202924 and 203009
229865	17036	Presser Foot (hinged) complete, Nos. 202090, 202924 and 203024, for tailoring
229867	17036	Presser Foot (hinged) complete, Nos. 202090, 202924 and 203011, for overalls
229868	17036	Presser Foot (hinged) complete, Nos. 202090, 202924 and 203012
233361	17035	Foot Lifter Lifting Lever Position Spring
233390	17035	Foot Lifter Lifting Lever Hinge Screw Washer
233607	17035	Bed (cylinder) Cap
233609	17035	" Slide Clamp Plate (front)
233612	17002	Feed Driving Eccentric Regulating Bracket 235082 with 224200, two each 201408C and 201525E
233614	17033	Feed Driving Rock Shaft Bearing
233615	17030	" Regulating Spindle with 202311, 202443 and 202619
233625	17034	Needle Bar with 200125F, 200175D and 204250
233636	17024	Bobbin Case Lever, for 233758

From the files of Diamond Speed Corp

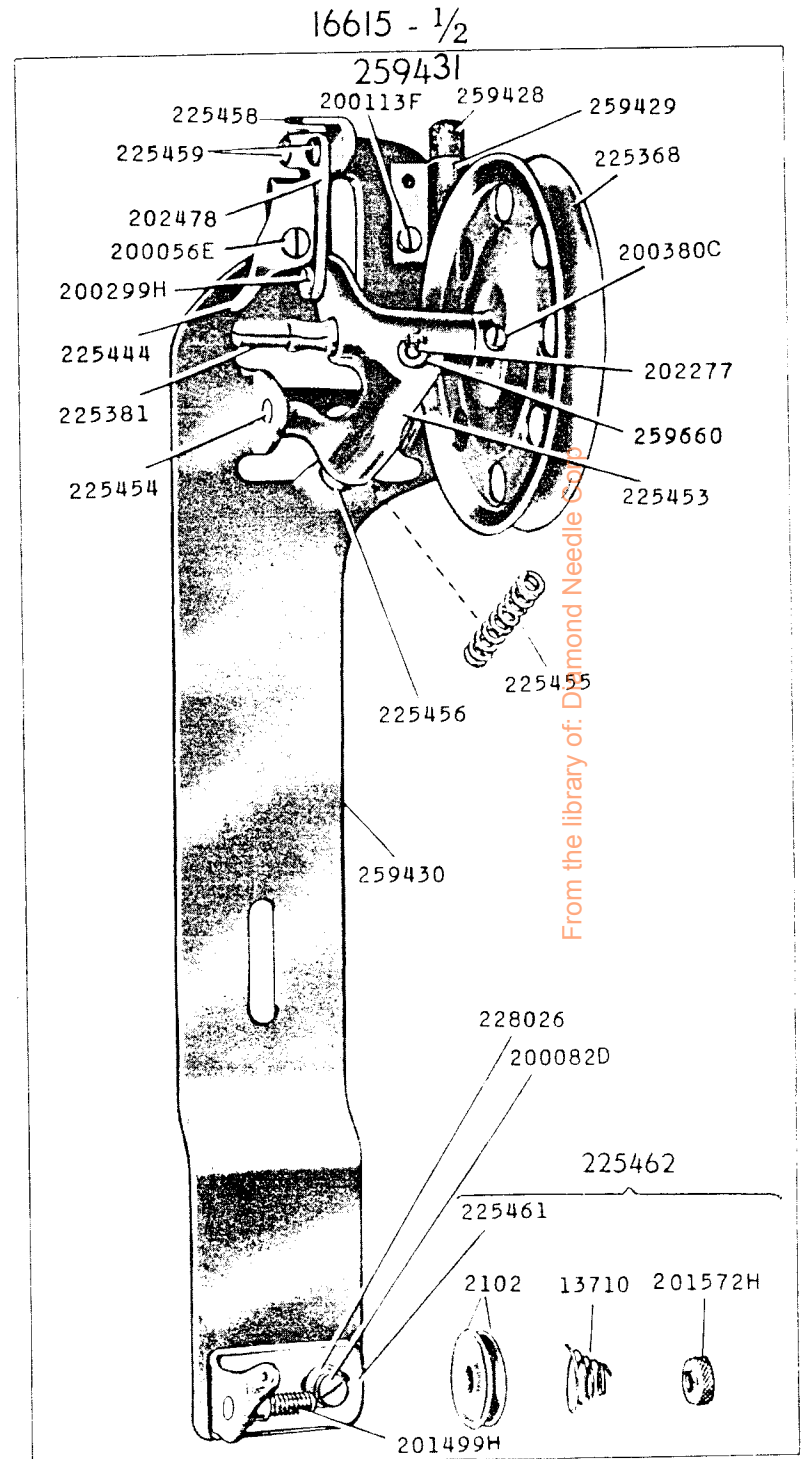
No.	Plate	Name
*233640	-----	Bobbin Case Lever Eccentric, for 238237
233643	17035	Bed Slide Clamp Plate (back)
233691	17030	Arm Shaft with 224392 and 350431E
233692	17003	" " Connection Belt Timing Plate
*233693	-----	Bed (cylinder) with 201461C and 213380
233694	17033	Feed Bar with 213610
233695	17033	" Lifting Cam with 200392C and 200447C
233696	17033	Feed Lifting Cam Retainer
233697	17024	Hook Bevel Gear Socket, 18 teeth, for 233758
233698	17003	Hook Bevel Pinion with two 200386C
233699	17003	" Driving Shaft
233707	17024	" Saddle with 206758 and two 233708, for 233758
233708	17024	Hook Saddle Oiling Felt, for 233707
*233757	-----	Arm with 202135
233758	17024	Hook Saddle complete, Nos. 200110D, 200556H, 203576, 203578, 233636, 233697, 233707, 238237 and 238250
233776	17033	Feed Dog, for 233777 and 233780
233777	17033	Throat Plate, 50 needle hole, for needle sizes 14 and 15, for 233776
233780	17033	Throat Plate, 46 needle hole, for needle sizes 16 and 18, for 233776
233829	17034	Needle Bar Bushing
235003	17002	Arm Shaft Connection Belt
235011	17033	Feed Driving Rock Shaft
235015	17003	Hook Driving Counter Shaft
235016	17003	" " " Bushing (back)
235017	17003	Hook Driving Counter Shaft Bushing (front)
235018	17003	Hook Driving Counter Shaft Gear with 200382C and 200398C
235018	17003	Hook Driving Shaft Gear with 200382C and 200398C
235019	17033	Hook Driving Counter Shaft Oil Tube (brass)
235021	17003	Hook Driving Shaft Bushing (back)
235064	17003	" " " Connection Belt Pulley with 202253 and two 201254C
235066	17033	Feed Driving Rock Shaft Bushing
235082	17002	" " Eccentric Regulating Bracket, for 233612
235096	17030	Balance Wheel (disc) (belt groove 2-1/2 in. diam.) with 200328C and 200335C
*235099	-----	Bobbin Case, for 235100
235100	17024	Bobbin Case complete, Nos. 200594C, 200964C, 202058, 203214, 203216, 203473, 203474, 203648, 235099, 241674, 241675 and two 350405C, for 238250
235842	17002	Feed Driving Rock Shaft Connection with 200054E and 202277
238237	17024	Hook Washer with 233640 and three 221147, for 233758

No.	Plate	Name
238250	17024	Hook and Bobbin Case complete, Nos. 203523 and 235100, for 233758
238251	17034	Needle Bar Connecting Link
240139	17034	Take-up Lever
240802	17030	Arm Shaft Bushing (back) with 202244
241443	17032	Thread Controller Spring Stop
241674	17024	Bobbin Case Oiling Felt, for 235100
241675	17024	" " " " Retainer, for 235100
244004	17031	Presser Bar Lifting Releasing Lever Bracket
244033	17031	Presser Bar (hollow), for 202335
244048	17032	Tension Disc (back), for 244062
244049	17032	" " (front), for 244062
244061	17032	" Release Washer, for 244062
244062	17032	Tension complete, Nos. 200625F, 201572H, 202407, 202410, 244048, 244049, 244061 and 263106
259428	16615	Nos. 259428 to 259430, for 259431
259429	16615	Bobbin Winder Brake (leather)
259430	16615	" " " Clamp
259431	16615	" " and Tension Bracket Base
259660	16615	Universal Bobbin Winder complete, Nos. 200056E, 200082D, 200113F, 200299H, 202478, 225368, 225381, 225444, 225453 to 225456, 225458, 225462, 228026, 259428 to 259430, two each 225459 and wood screws 3/4 in., No. 12, R.H.B.
263106	17032	Bobbin Winder Frame Oil Well Washer, for 225453
264714	17034	Tension Spring Washer, for 244062
264718	17034	Needle Bar Connecting Stud with 200072C and 202277
350149E	17033	Needle Bar Connecting Link Oil Guard
350405C	17024	Feed Dog Screw, for use with platform throat plates
350411C	17033	Bobbin Case Oiling Felt Retainer Screw, for 235100
350431E	17030	Feed Bar Connecting Link Pinch Screw, for 213298
		Arm Shaft Oil Packing Stop Screw, for 233691

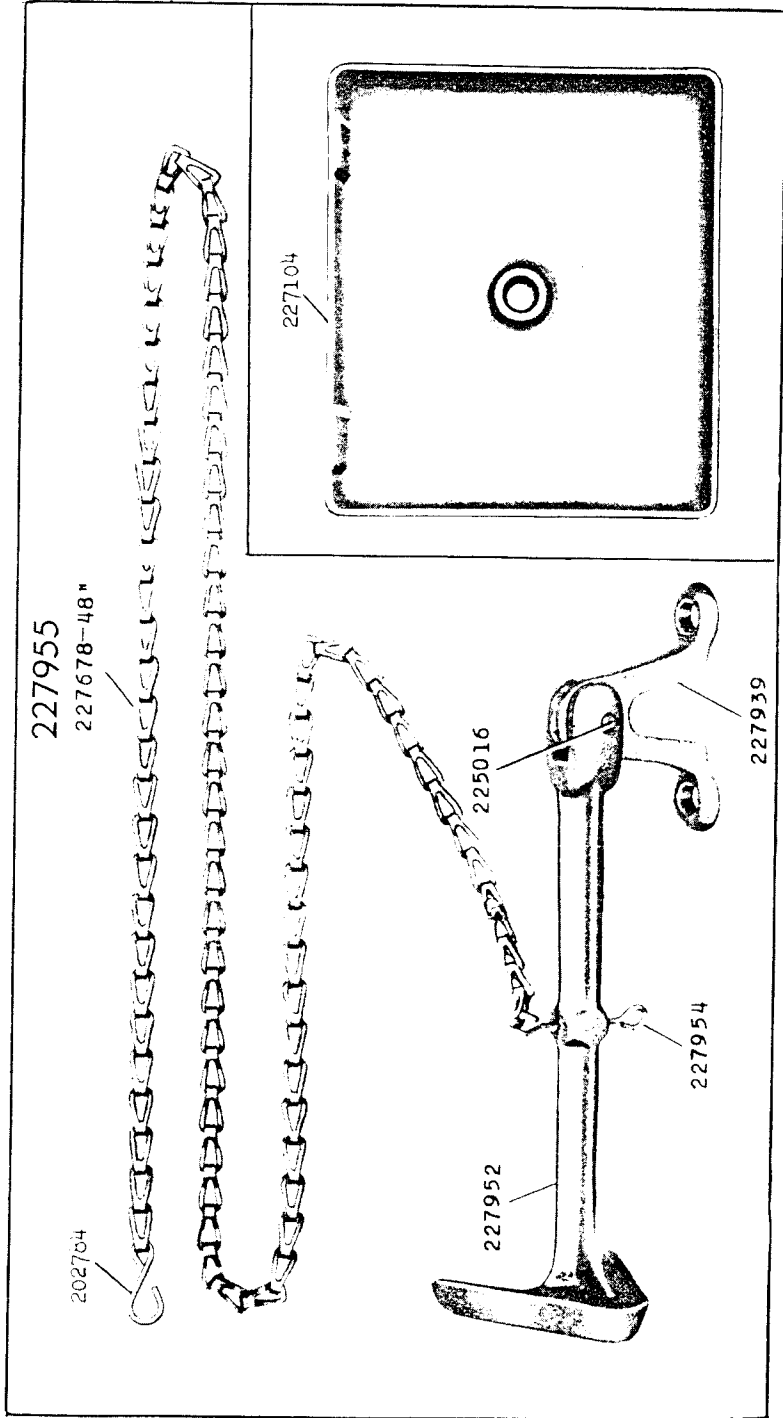
From the Library of The Textile Institute

SINGER Needles should be used
 in SINGER Machines
 These Needles and their Containers
 are marked with the
 Company's Trade Mark "SIMANCO.**" 1

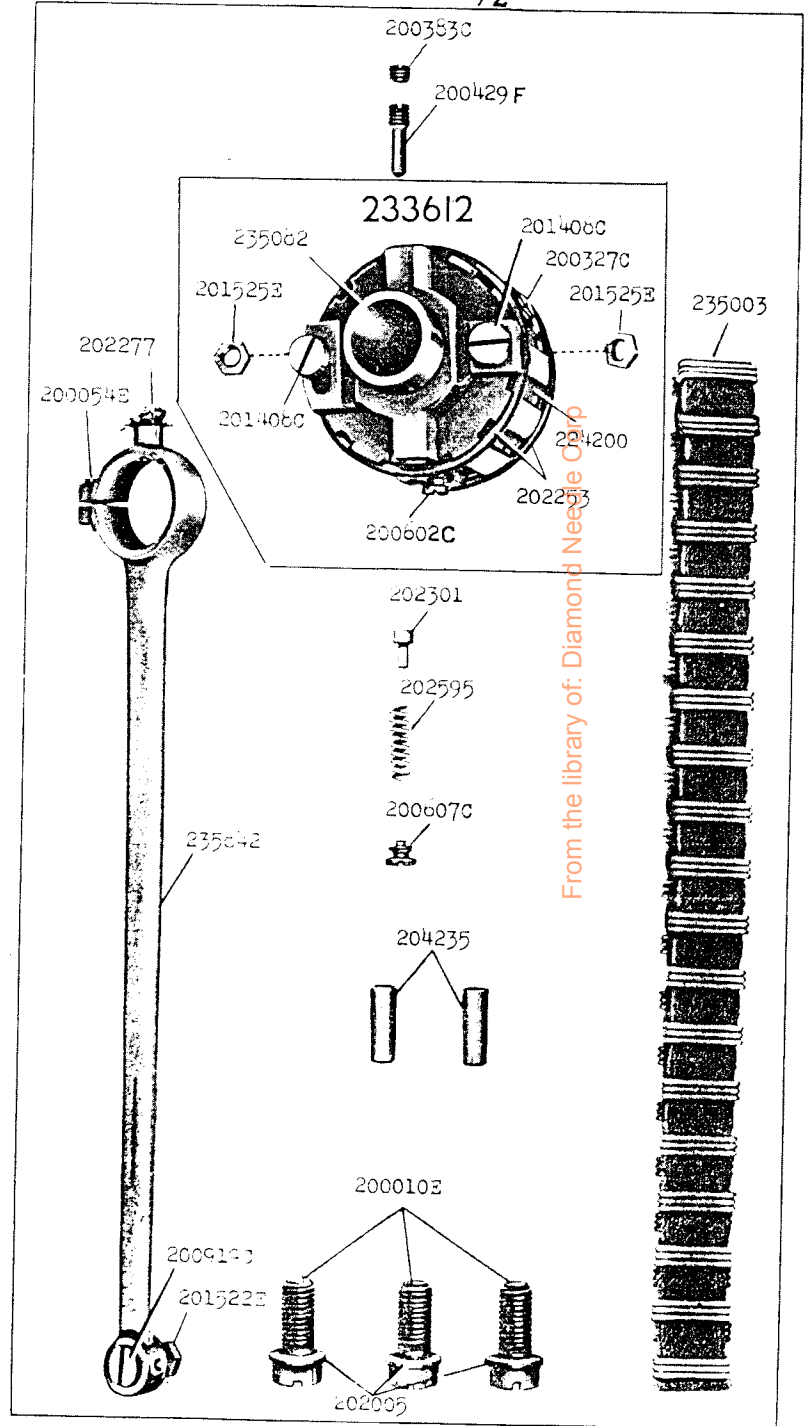
Needles in Containers marked
 "FOR SINGER MACHINES"
 are NOT SINGER made needles. 2



16762 - 3/8

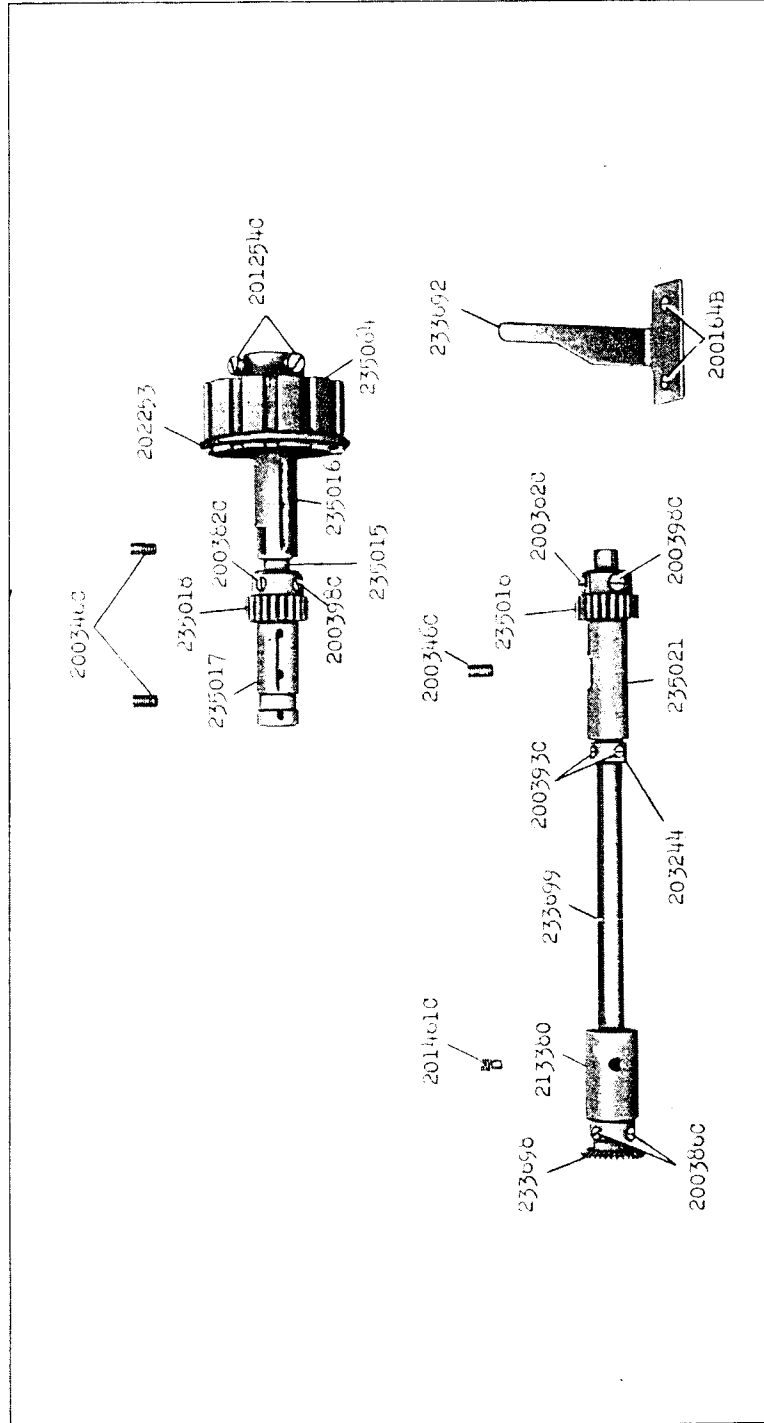


17002 - 1/2

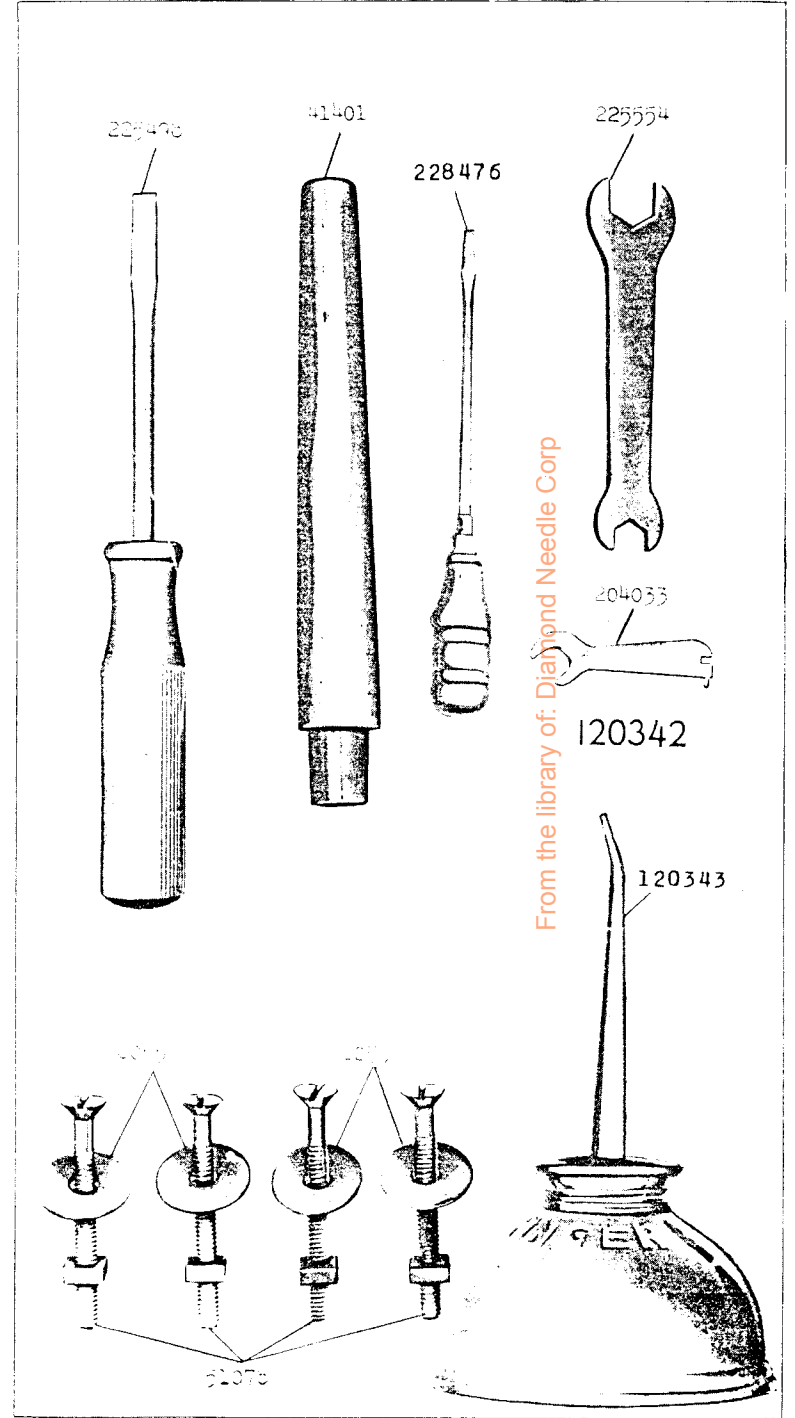


From the library of: Diamond Needle Corp

17003 - 1/3

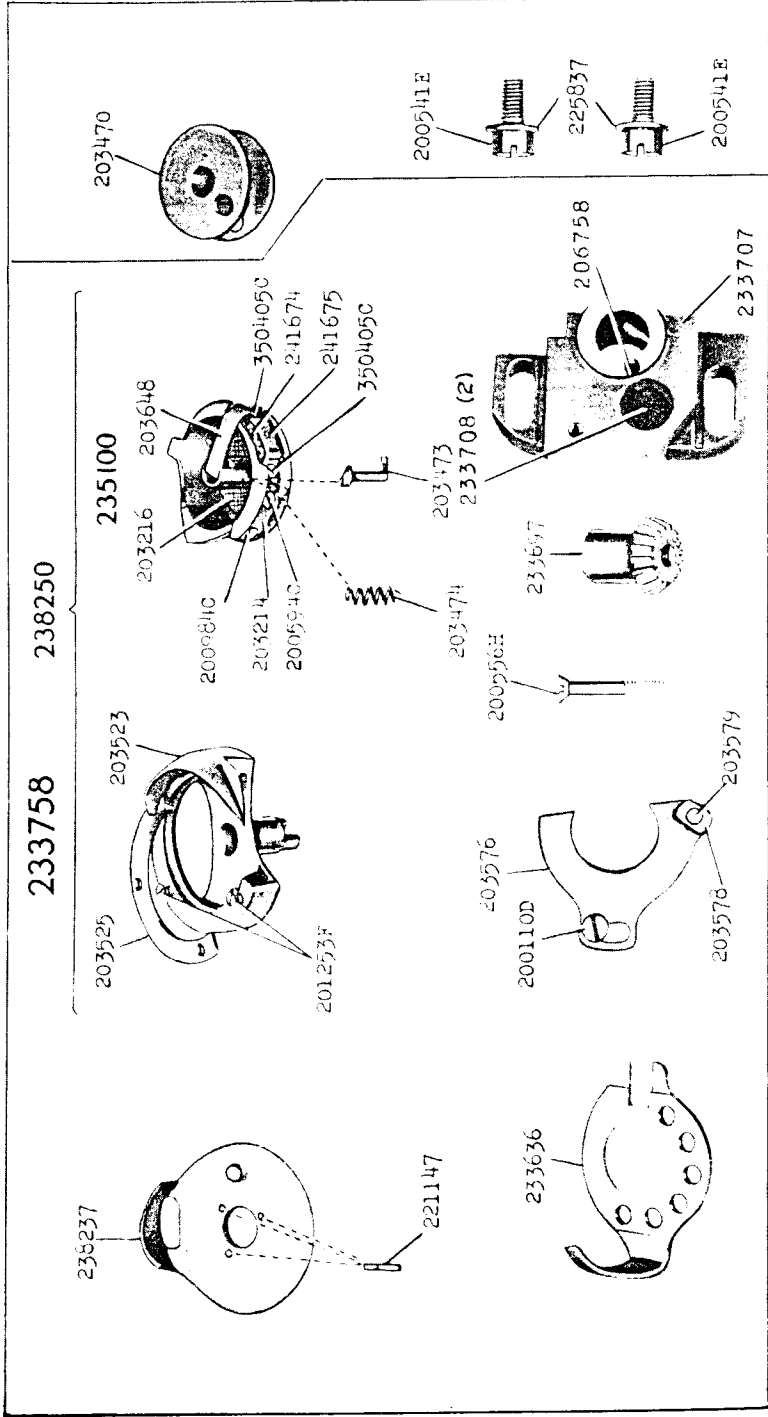


17010 - 1/2

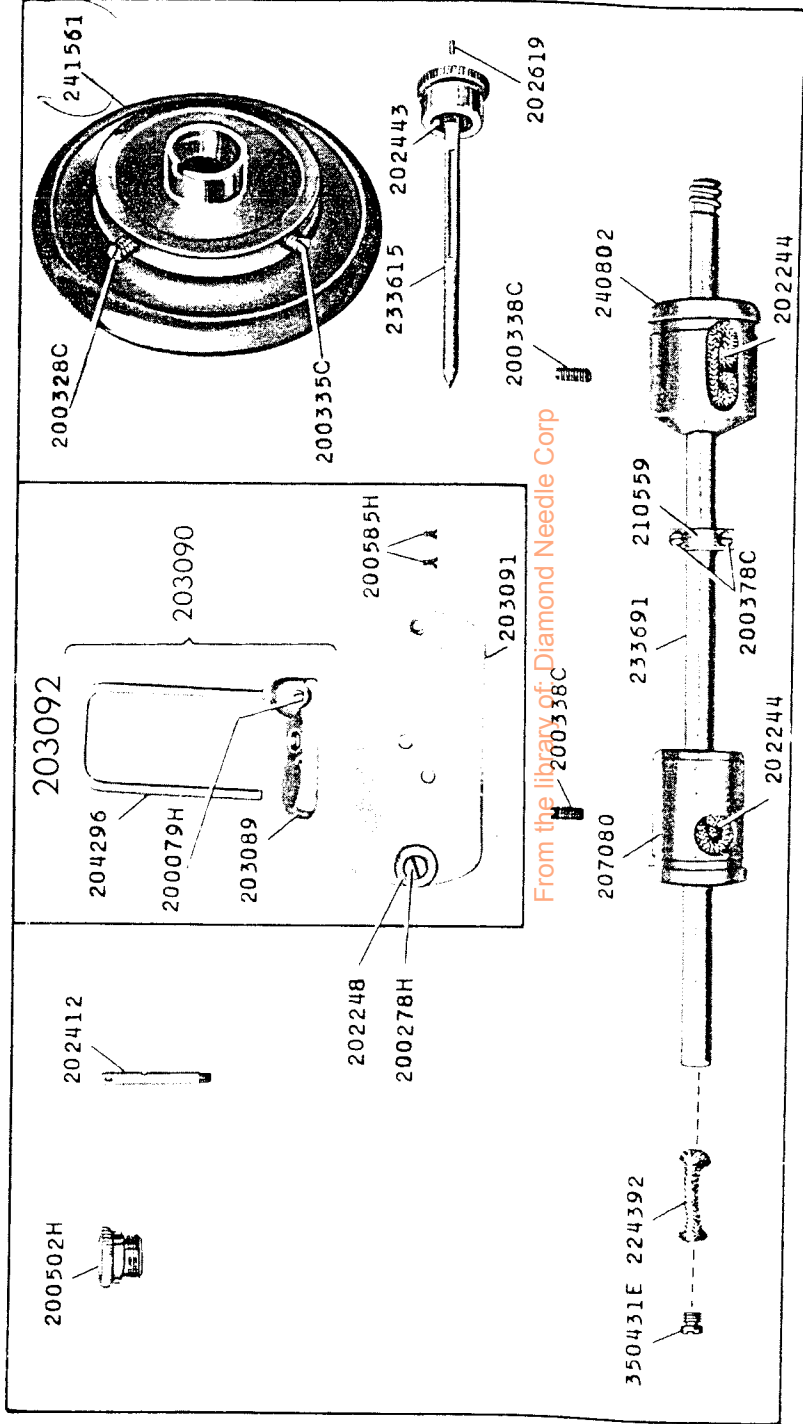


From the library of: Diamond Needle Corp

17024 - 2/3

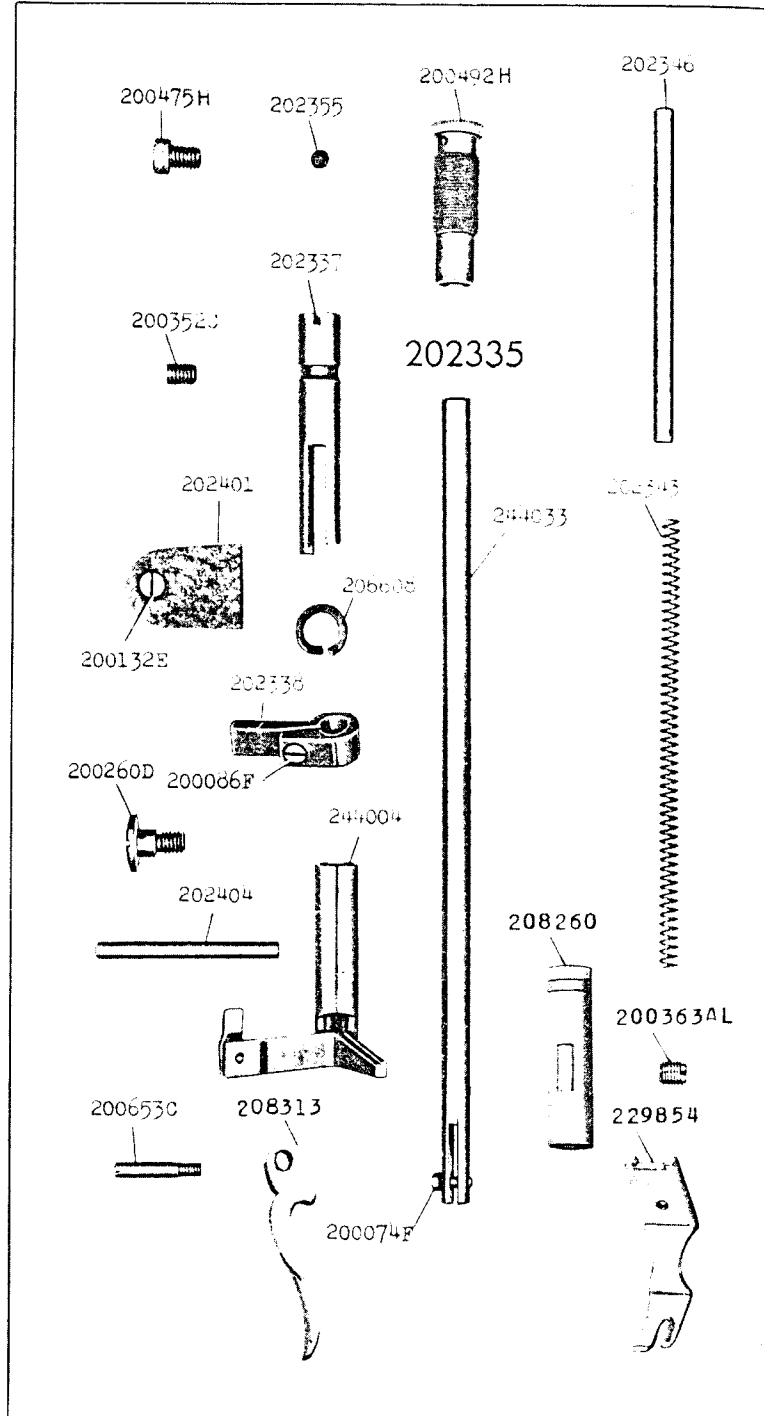


17030 - 1/3

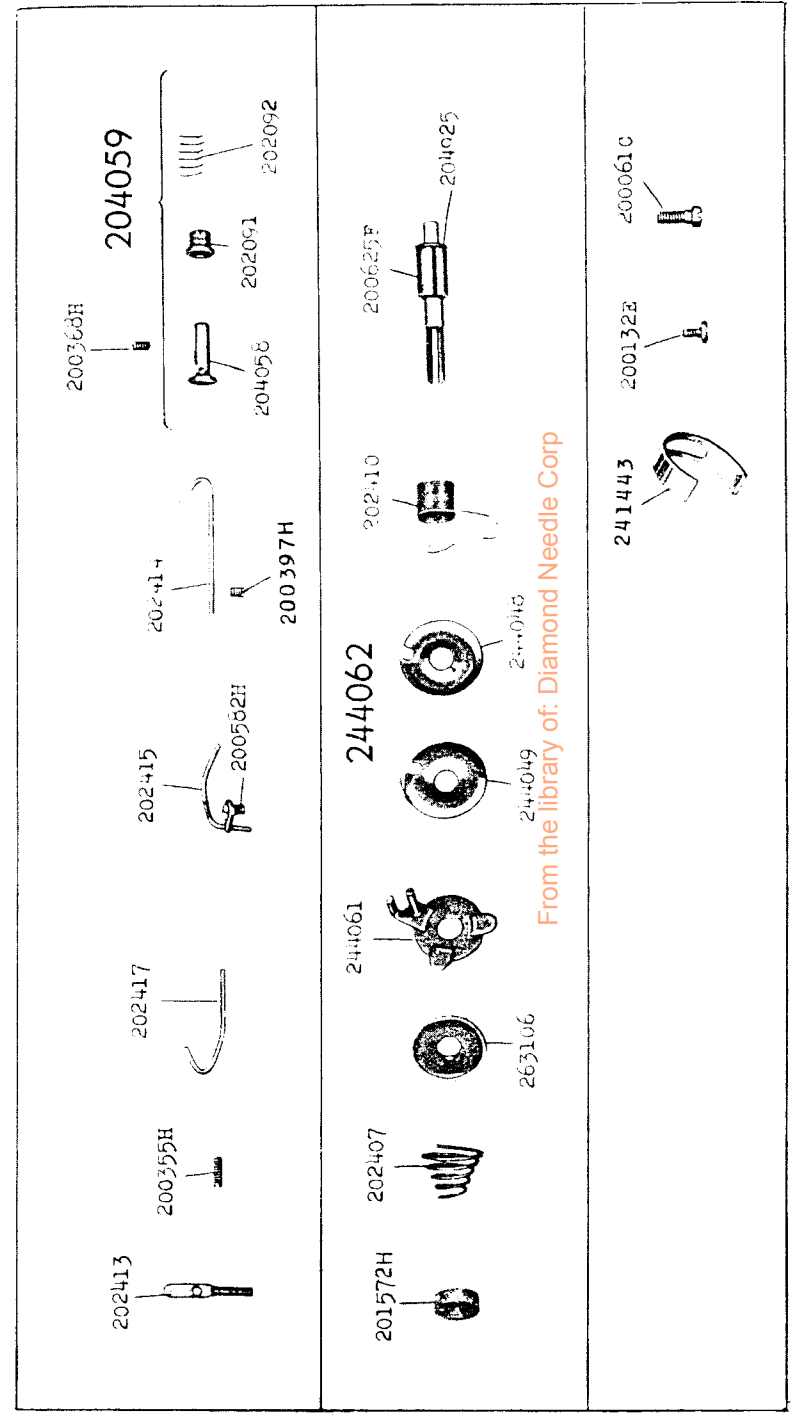


7/11/68

17031 - 1/2

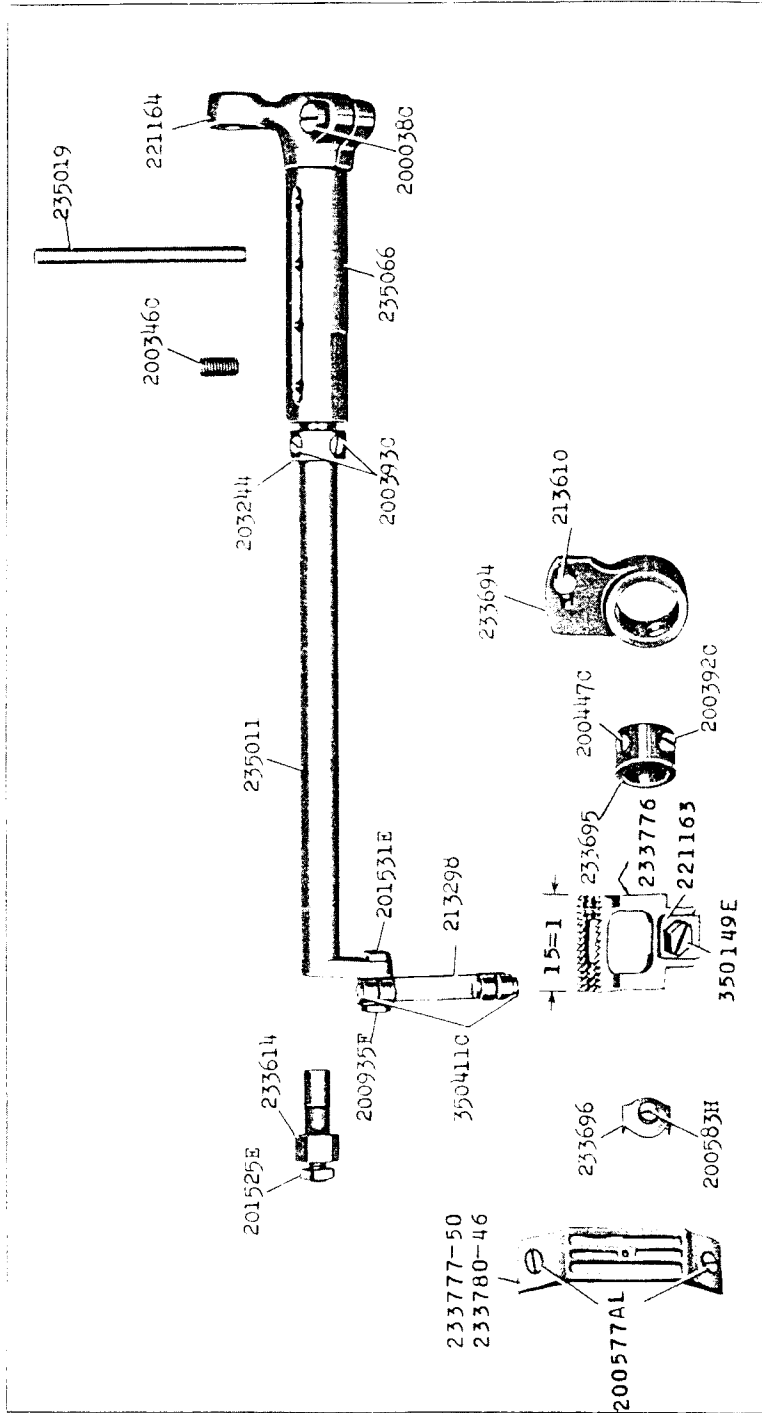


17032 - 1/2

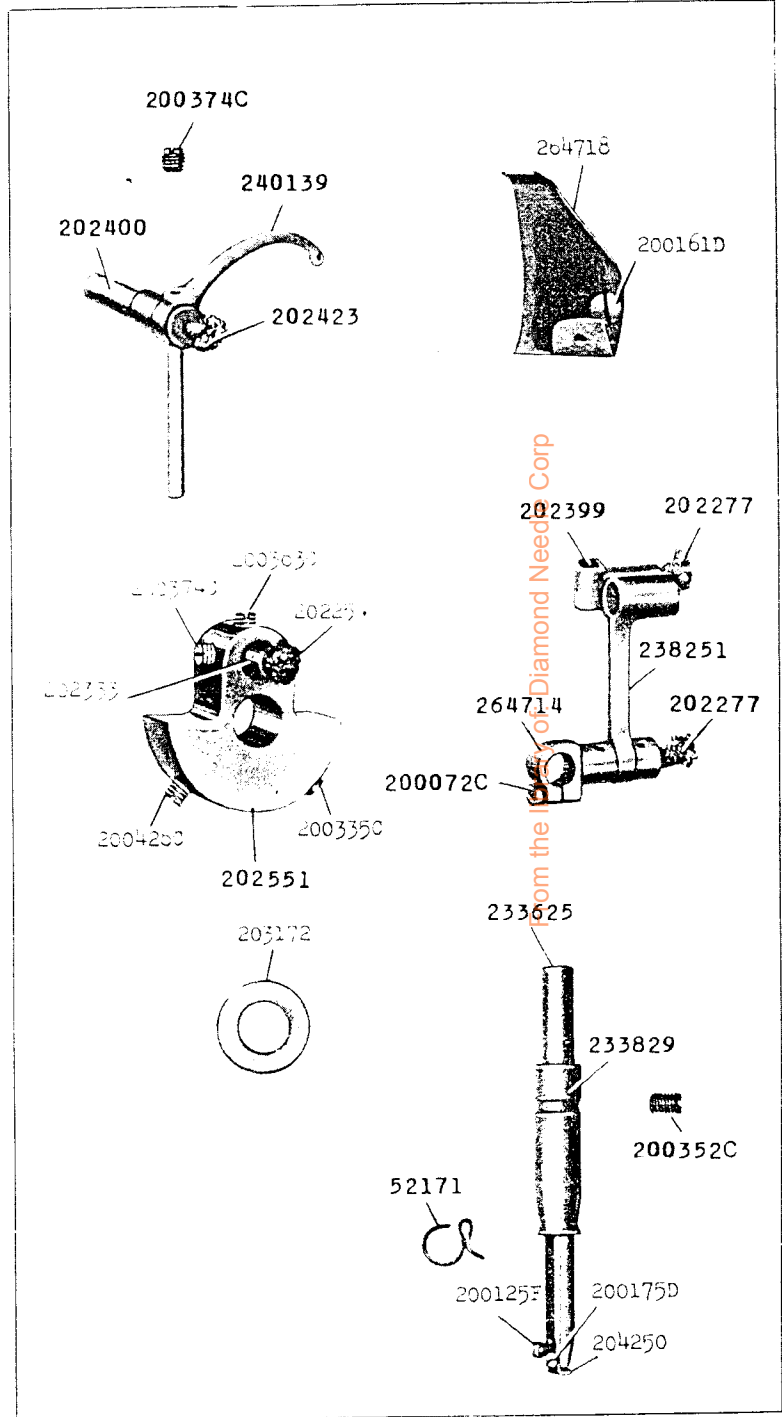


From the library of: Diamond Needle Corp

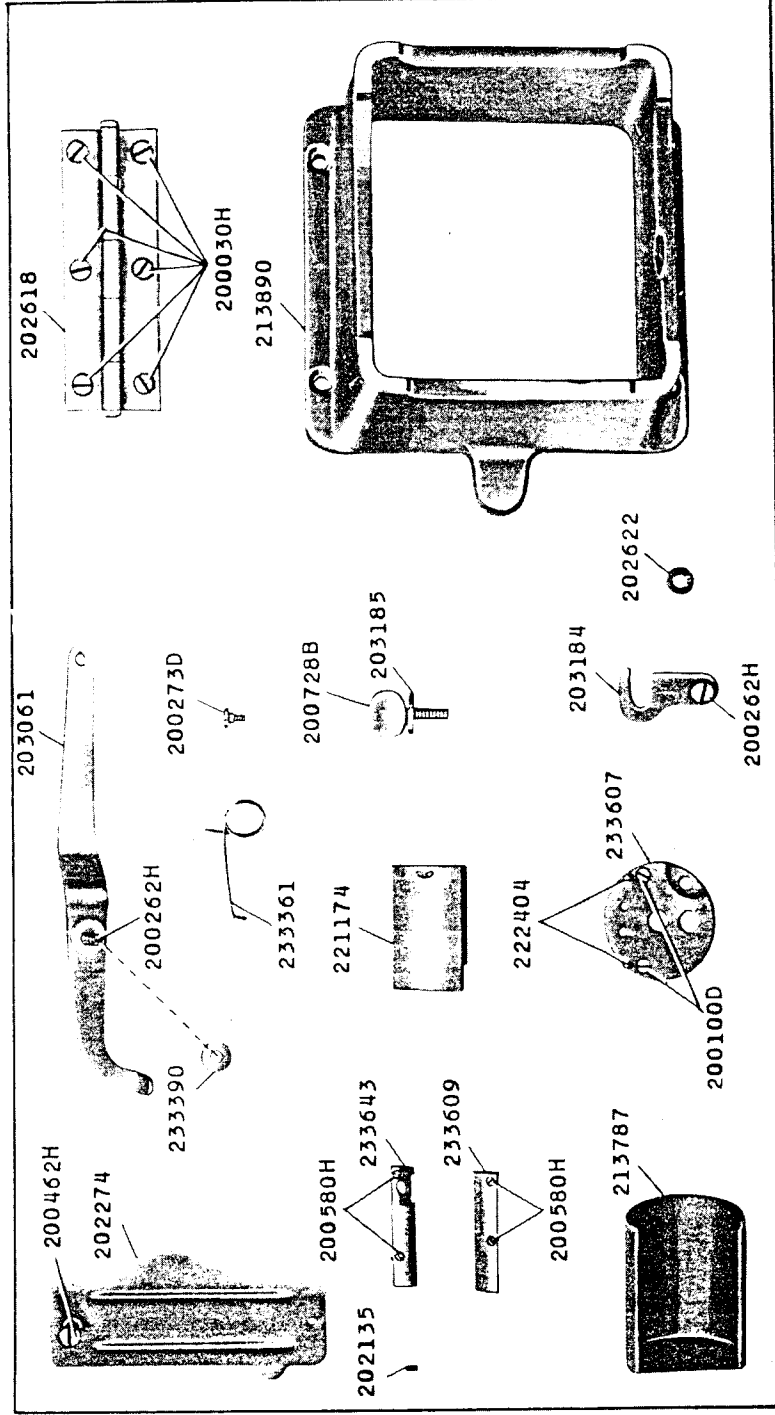
17033 - 1/2



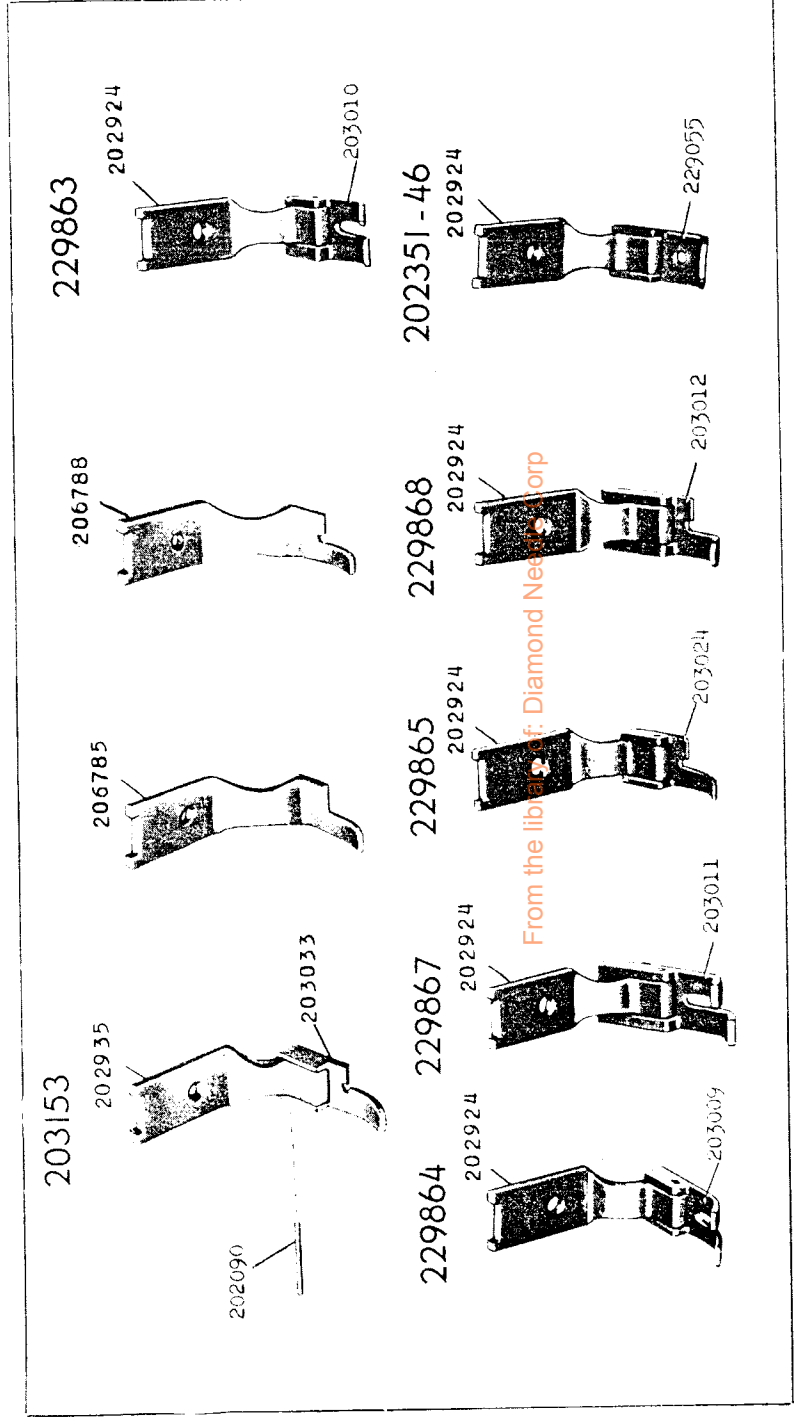
17034 - 1/2



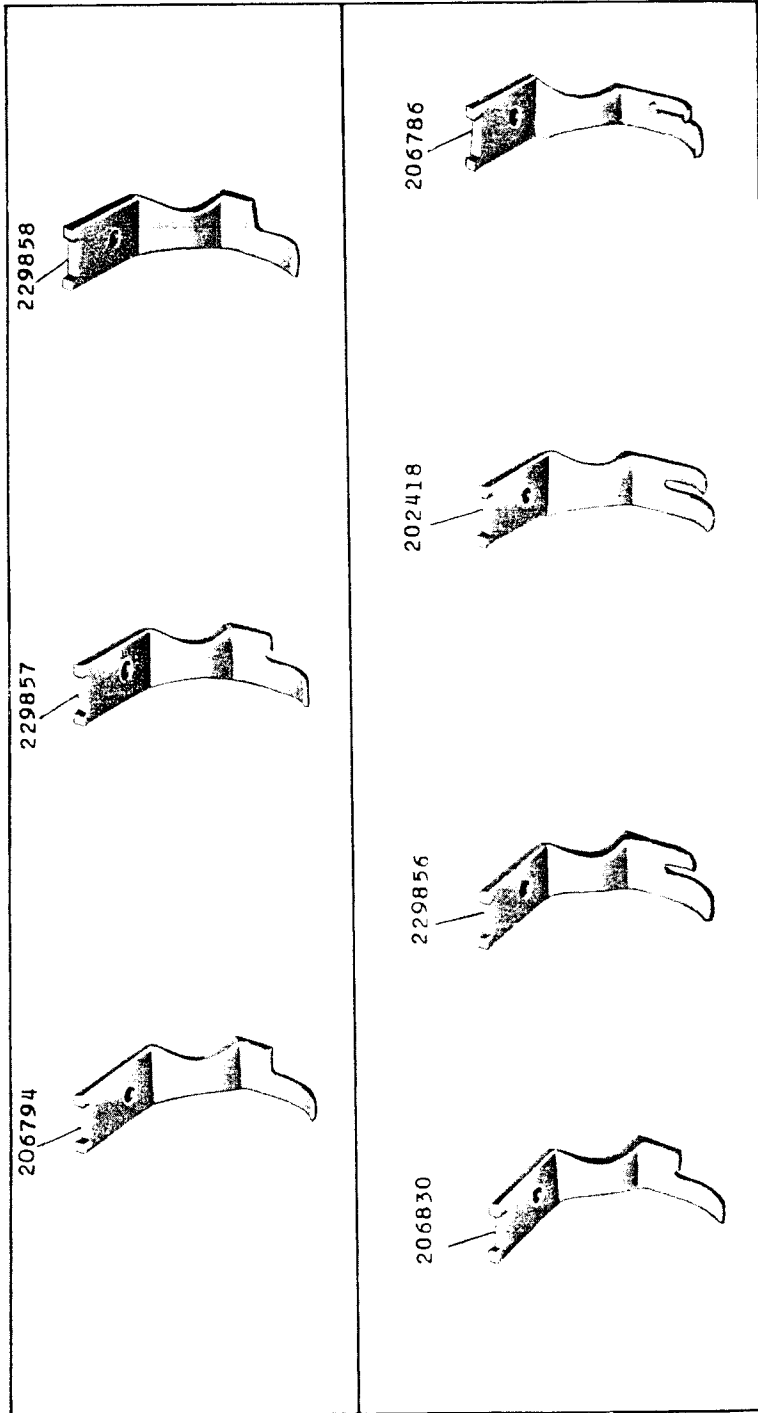
17035 - 1/4



17036 - 5/8



17037 - 5/8



SINGER Needles should be used
in SINGER Machines
These Needles and their Containers
are marked with the
Company's Trade Mark "SIMANCO.**" 1

Needles in Containers marked
"FOR SINGER MACHINES"
are NOT SINGER made needles. 2

From the Property of: Diamond Needle Corp